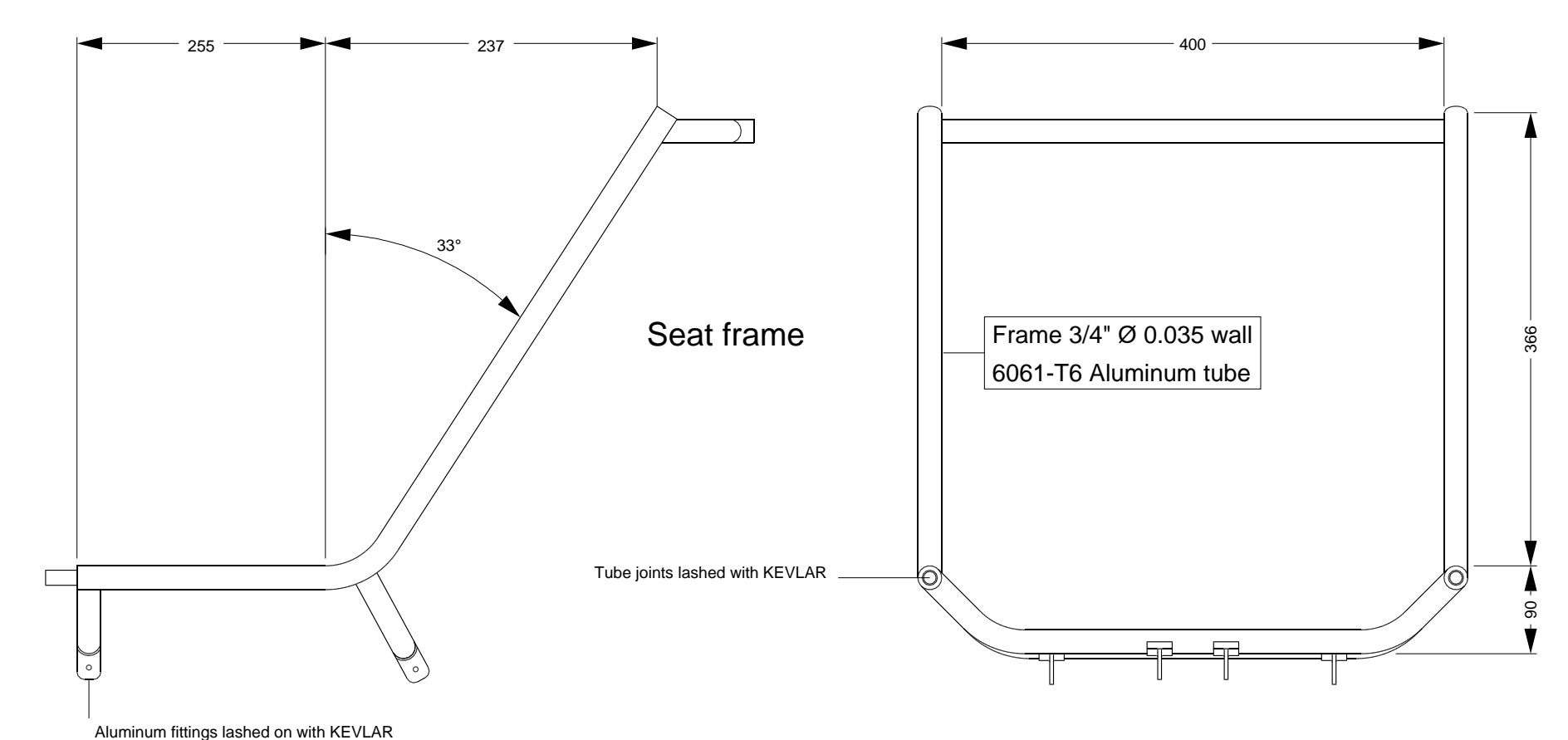
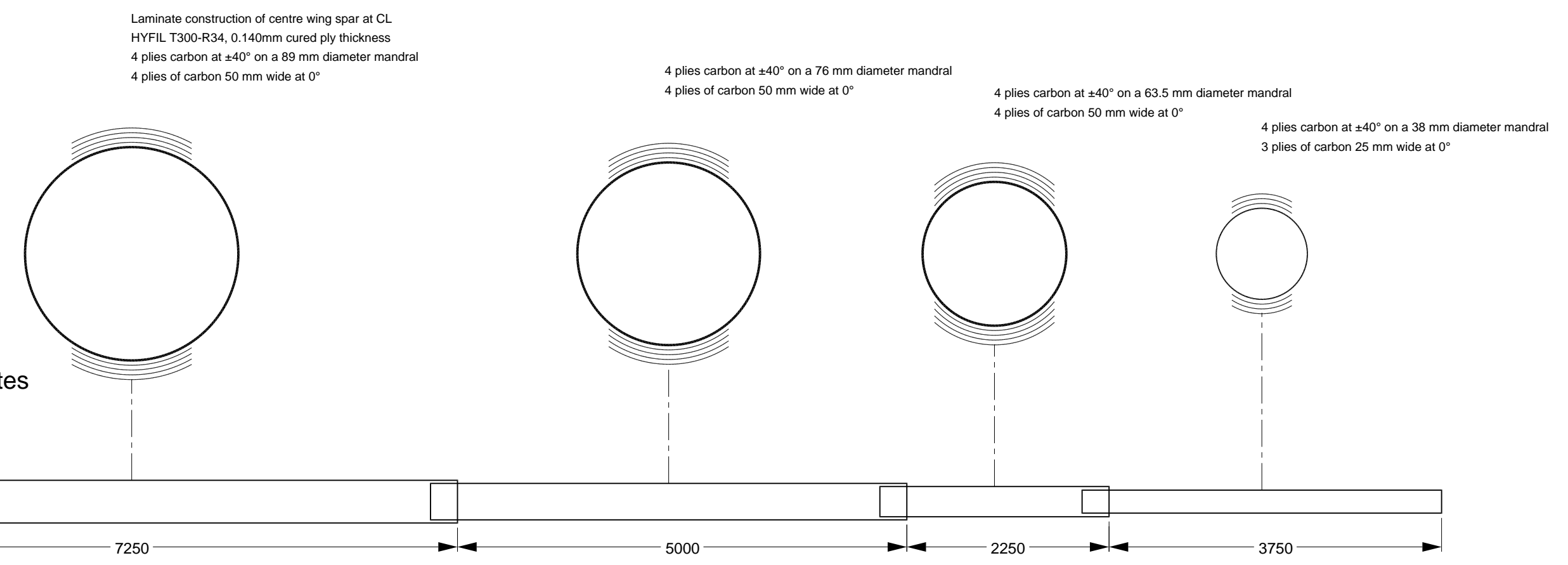
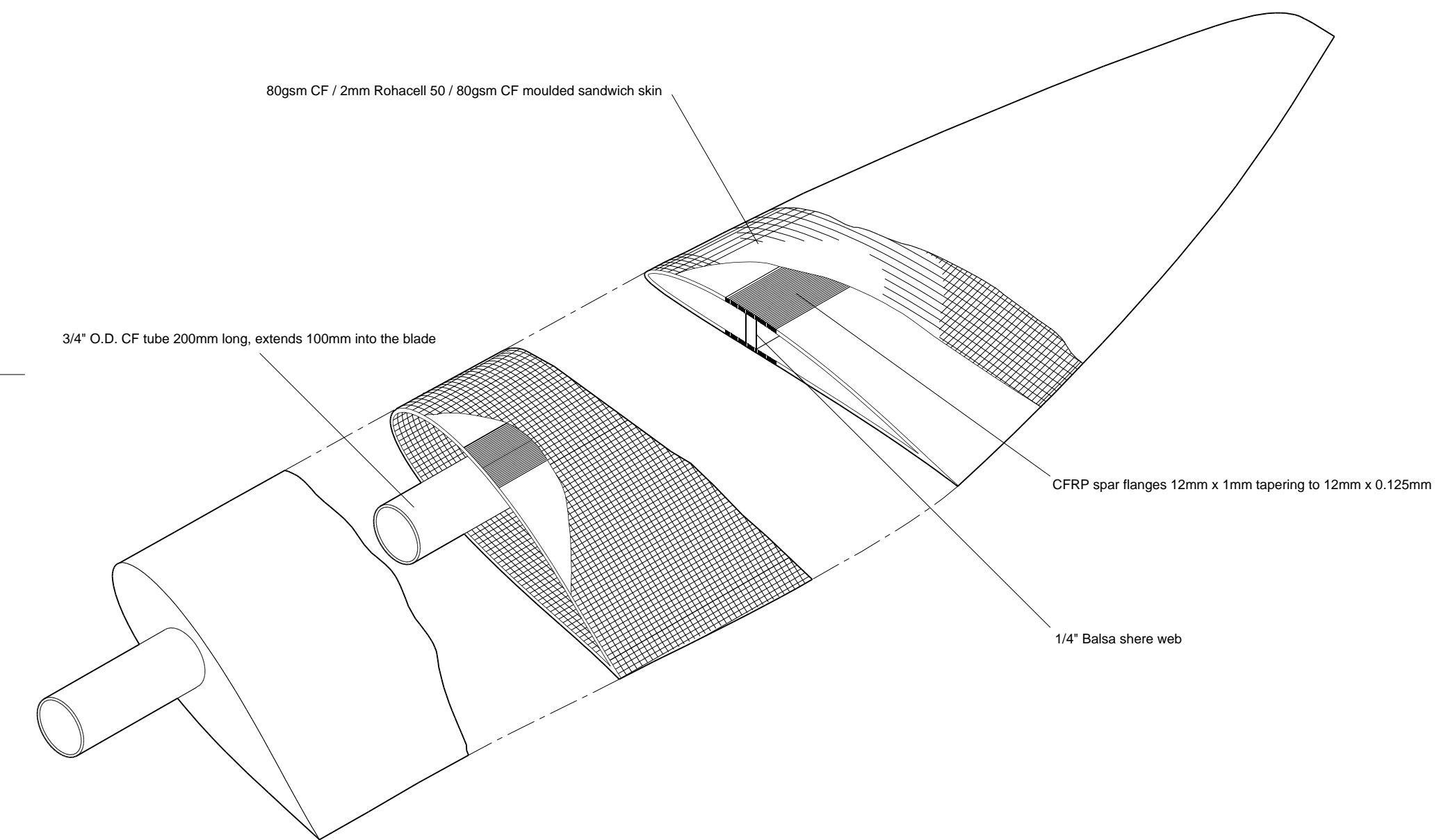
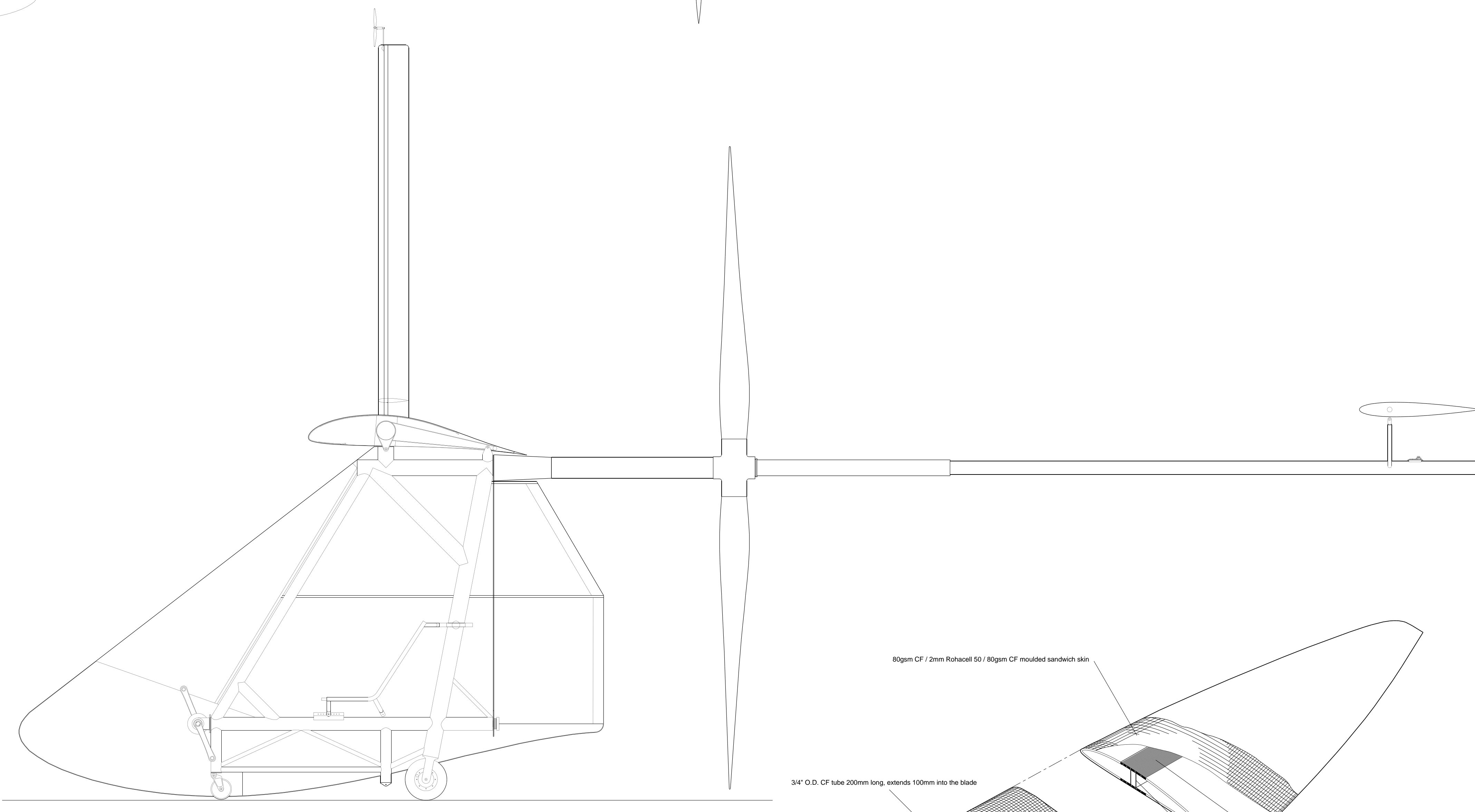
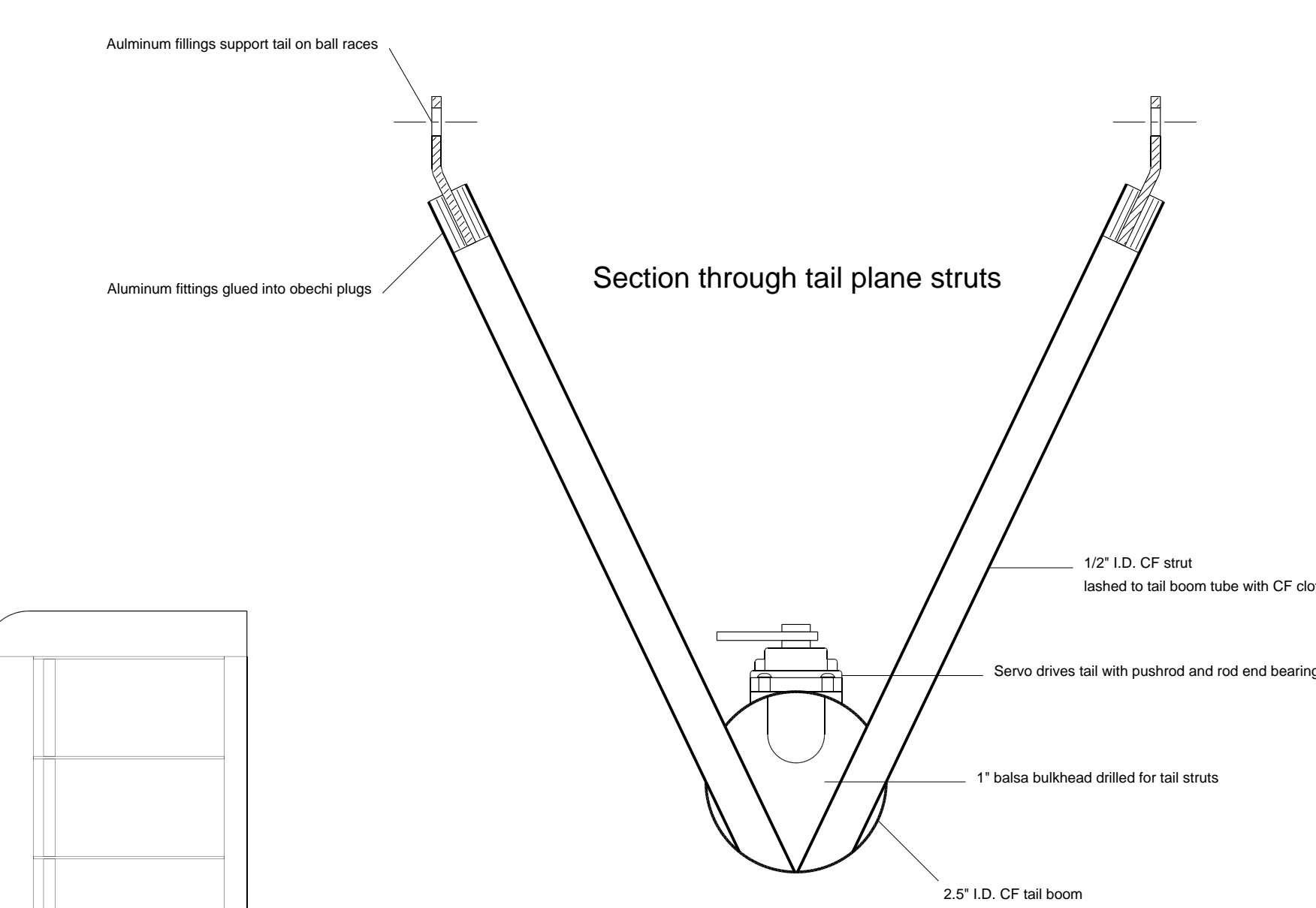
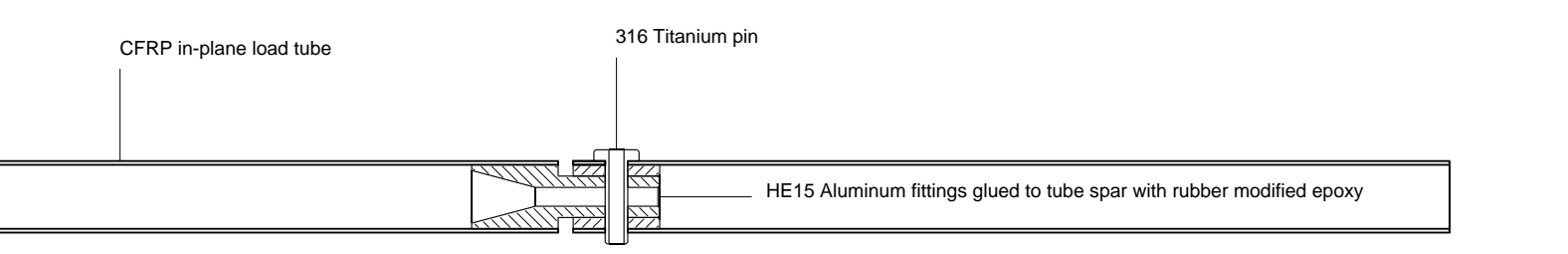
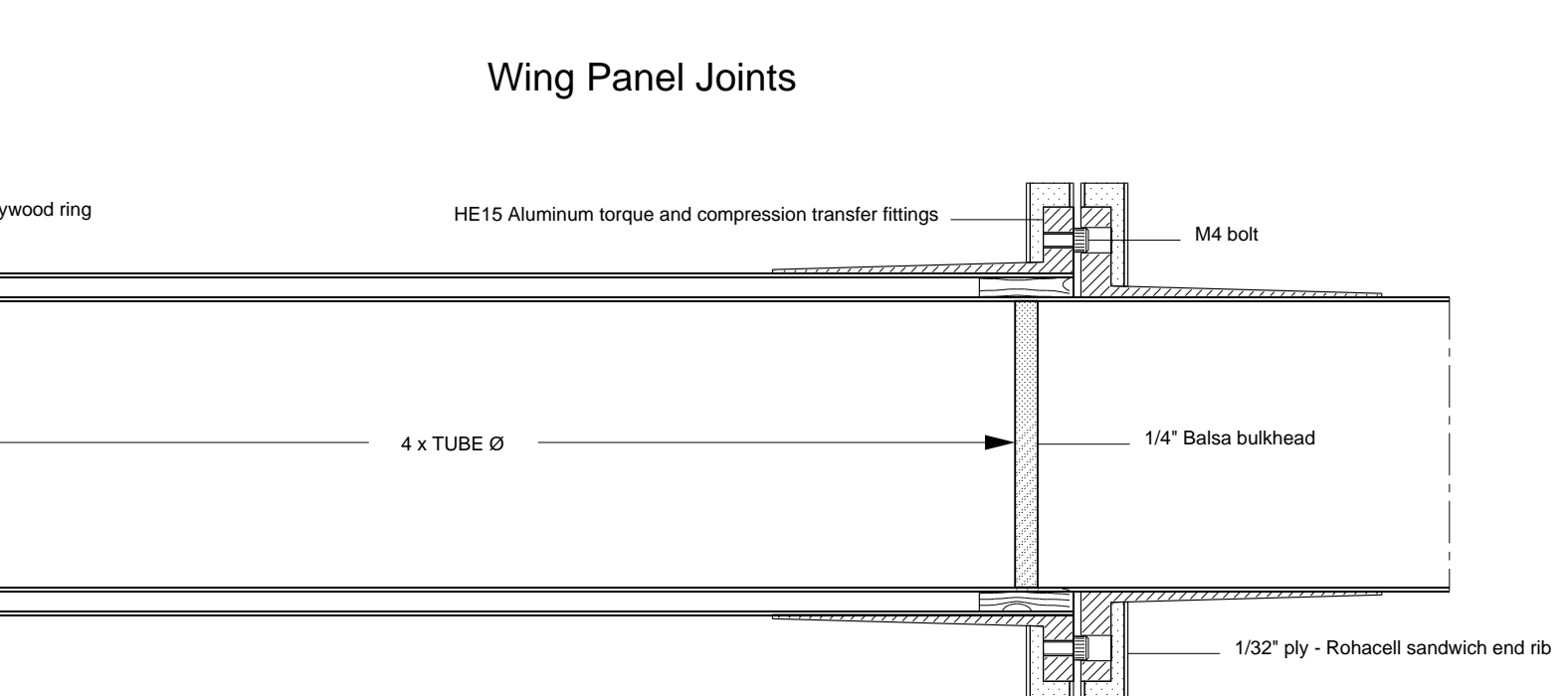
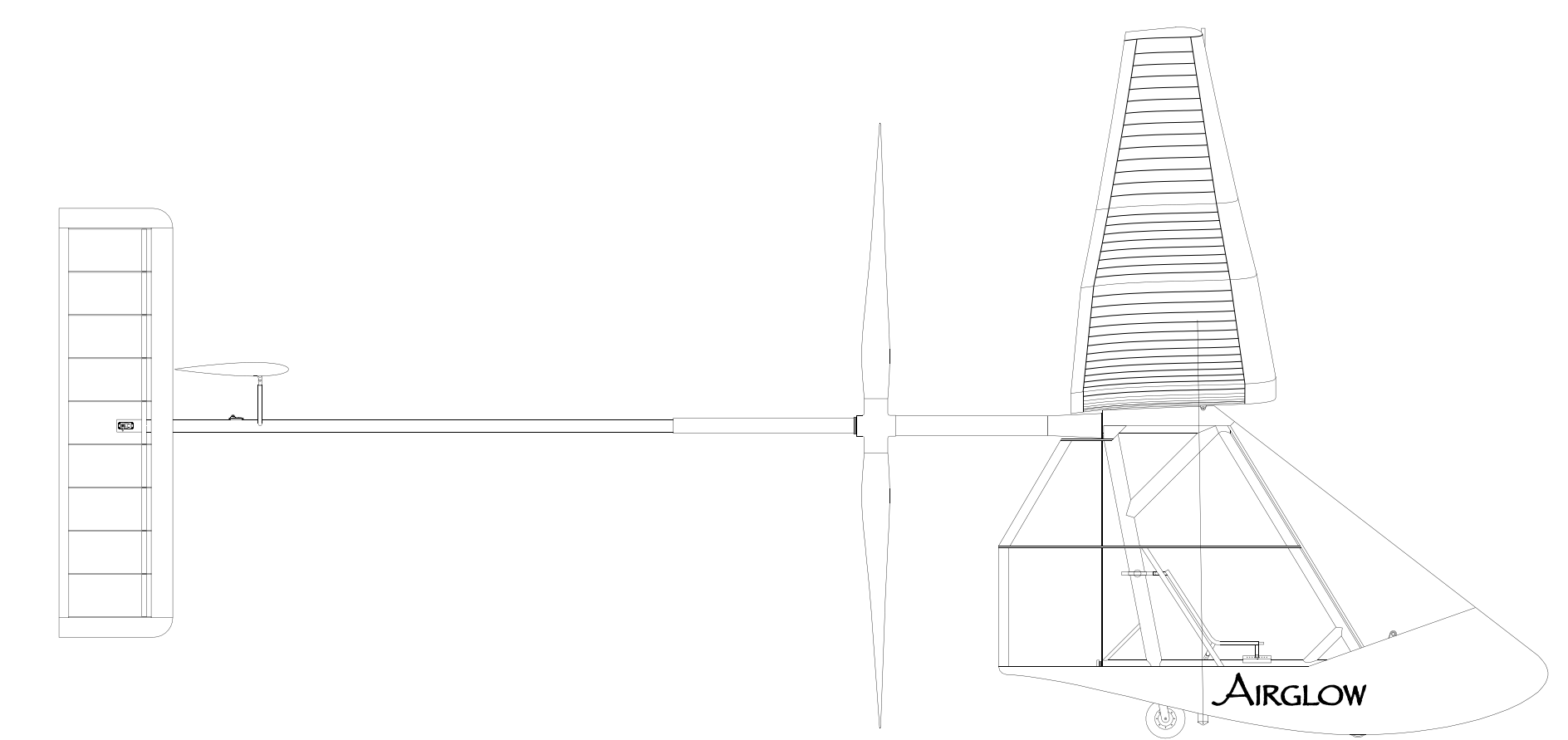
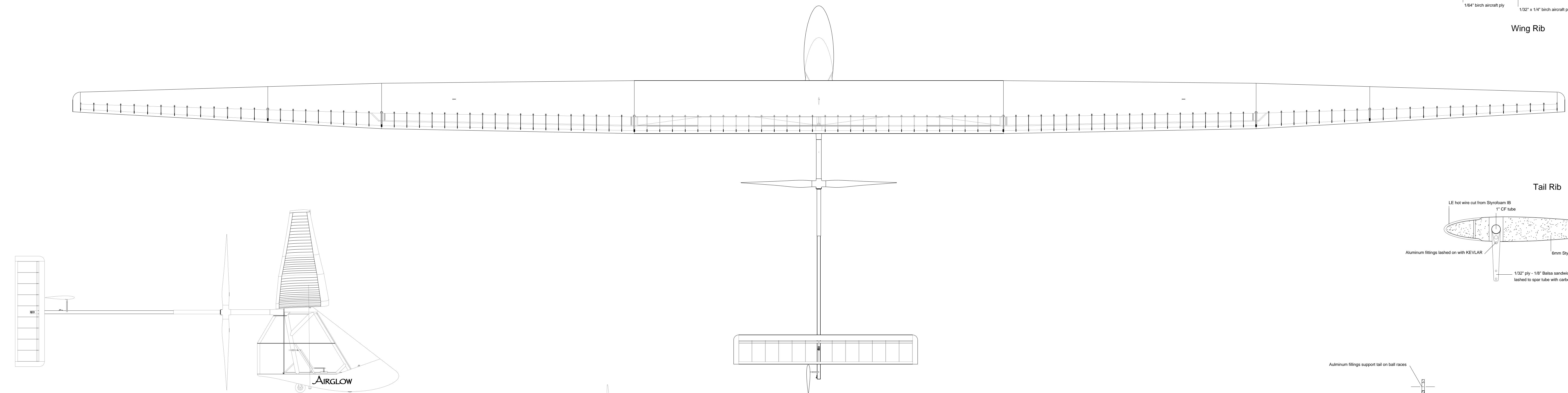
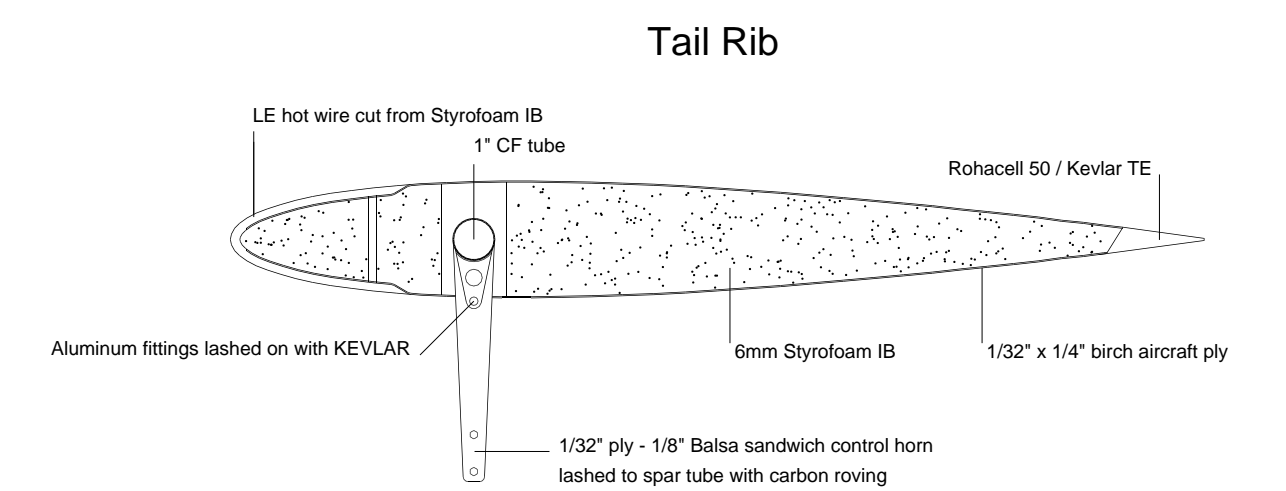
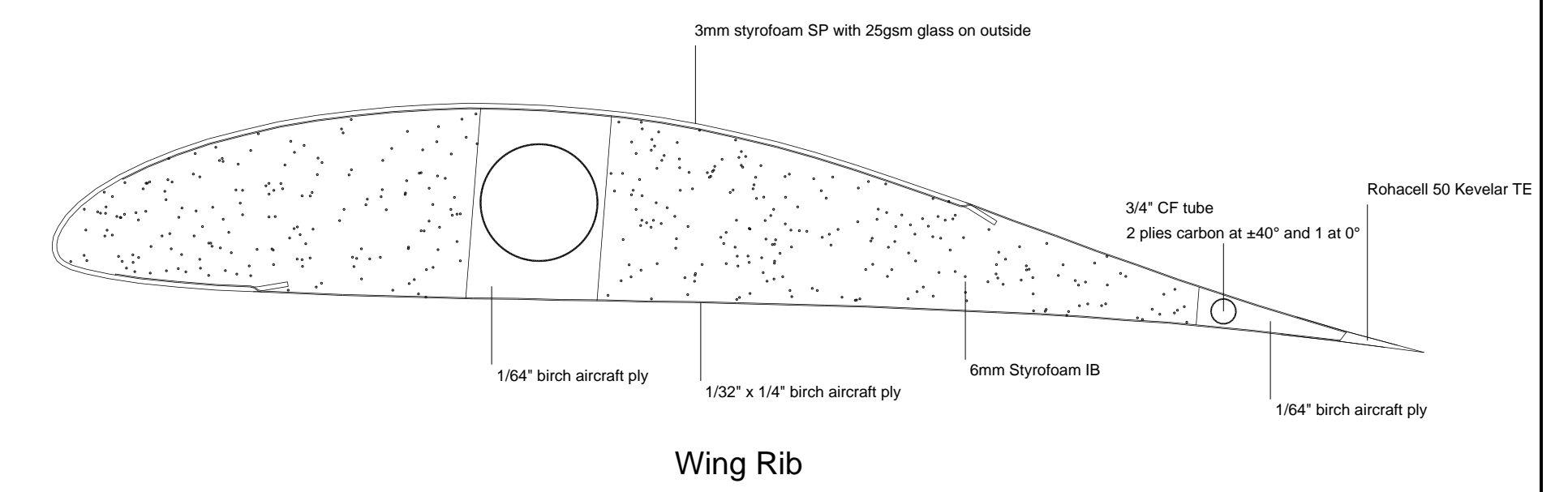


Designed and built by John McIntyre, Mark McIntyre and Nick Weston

Span: 29 m
 Wing area: 25 m square
 Aspect ratio: 32
 Empty weight: 35 kg
 Design speed: 8 m/s
 Power requirement: 289 W
 Wing airfoil: DAI1335
 Stabiliser airfoil: FX-76-100-MP
 Rudder airfoil: WF76-100-MP
 Prop airfoil: E193
 Prop diameter: 3.10 m
 Prop speed: 180 rpm



Airglow Human Powered Aircraft

Scale in m - 1:32

